

Mono Amplifier kit

Build Instructions

Before you start, take a look at the Printed Circuit Board (PCB). The components go in the side with the writing on and the solder goes on the side with the tracks and silver pads.

1 PLACE RESISTORS

Start with the three resistors:
The text on the PCB shows where R1, R2 etc go.
Ensure that you put the resistors in the right place.

PCB Ref	Value	Colour Bands
R1	4.7k	Yellow, purple, red
R2 & R3	10Ω	Brown, black, black



2 SOLDER THE IC HOLDER

Solder the Integrated Circuit (IC) holder into IC1. When putting this into the board, be sure to get it the right way around. The notch on the IC holder should line up with the notch on the lines marked on the PCB.



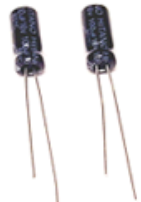
3 SOLDER THE CERAMIC DISC CAPACITORS

There is one ceramic disc capacitor which should be soldered in to C1 on the PCB. The capacitor should be marked '473'. It does not matter which way around it goes.



4 SOLDER THE ELECTROLYTIC CAPACITORS

The other two capacitors are electrolytic capacitors, they are both marked 100uF. Place these two capacitors in to the board where it is labelled C2 and C3. Make sure the device is the correct way around. The capacitors have a '-' sign marked on them which should match the same sign on the PCB.



5 CONNECT THE POWER WIRES

The PP3 battery clip (shown right) should be attached to the power connection. This is the central two pads and can be identified by the word "Power" on the PCB. Connect the red wire to '+' and the black wire to '-'. The wires should be fed through the strain relief hole before being soldered into place.



6

CUT THE JACK LEAD

The kit is supplied with ½ a metre of twin cable with a 3.5mm Jack connector on one end. This cable will be used to connect both the speaker and the MP3 player. You will need to cut a length from the end that does not have the Jack connector on, which will be used to connect the speaker in a later step. Make sure that you leave enough cable on the end with the jack so that you have a long enough lead to connect your MP3 player!



7

CONNECT THE JACK LEAD

Strip the insulation from the other end of the cable that has the Jack plug on. Run some solder onto the exposed wire and trim the wire so that only 2 or 3mm of tinned wire is left. Solder these wires into the board where it is labelled 'Input'. It doesn't matter which of the pair of wires goes into each of the two pads. The wires should be fed through the strain relief hole before being soldered into place.



8

CONNECT THE SPEAKER

Take the piece of wire that you previously cut from the jack lead and strip the ends of the wire. Solder one end to the two terminals on the speaker and the other end to the board connection marked 'Speaker'. It does not matter which way around these connections go. Again the wires should be fed through the strain relief hole before being soldered into place.



9

INSERTING THE IC INTO THE HOLDER

The IC can now be put into the holder, ensuring the notch on the chip lines up with the notch on the holder. Your amplifier is ready for use. You can use the volume control on your MP3 player to control how loud the amplifier is. Just make sure that it's mid volume when you test the amplifier.

Checking Your Amplifier PCB

Carefully check the following before you insert the batteries:

Audio equipment may become damaged if connected to an incorrectly built amplifier.

Check the bottom of the board to ensure that:

- All holes (except the 4 large (3 mm) holes in the corners) are filled with the lead of a component.
- All these leads are soldered.
- Pins next to each other are not soldered together.

Check the top of the board to ensure that:

- The three wires are connected to the right place.
- The '-' on the capacitors match the same marks on the PCB.
- The colour bands on R1 are yellow, purple, red & R2 & R3 are brown, black, black.
- The battery clip red and black wires match the red & black text on the PCB.
- The notch on the IC is next to the power connection.

Adding an On / Off Switch

If you wish to add a power switch, don't solder both ends of the battery clip directly into the board, instead:

1

Solder one end of the battery clip to the PCB, either black to '-' or red to '+'.



2

Solder the other end of the battery clip to the on / off switch.

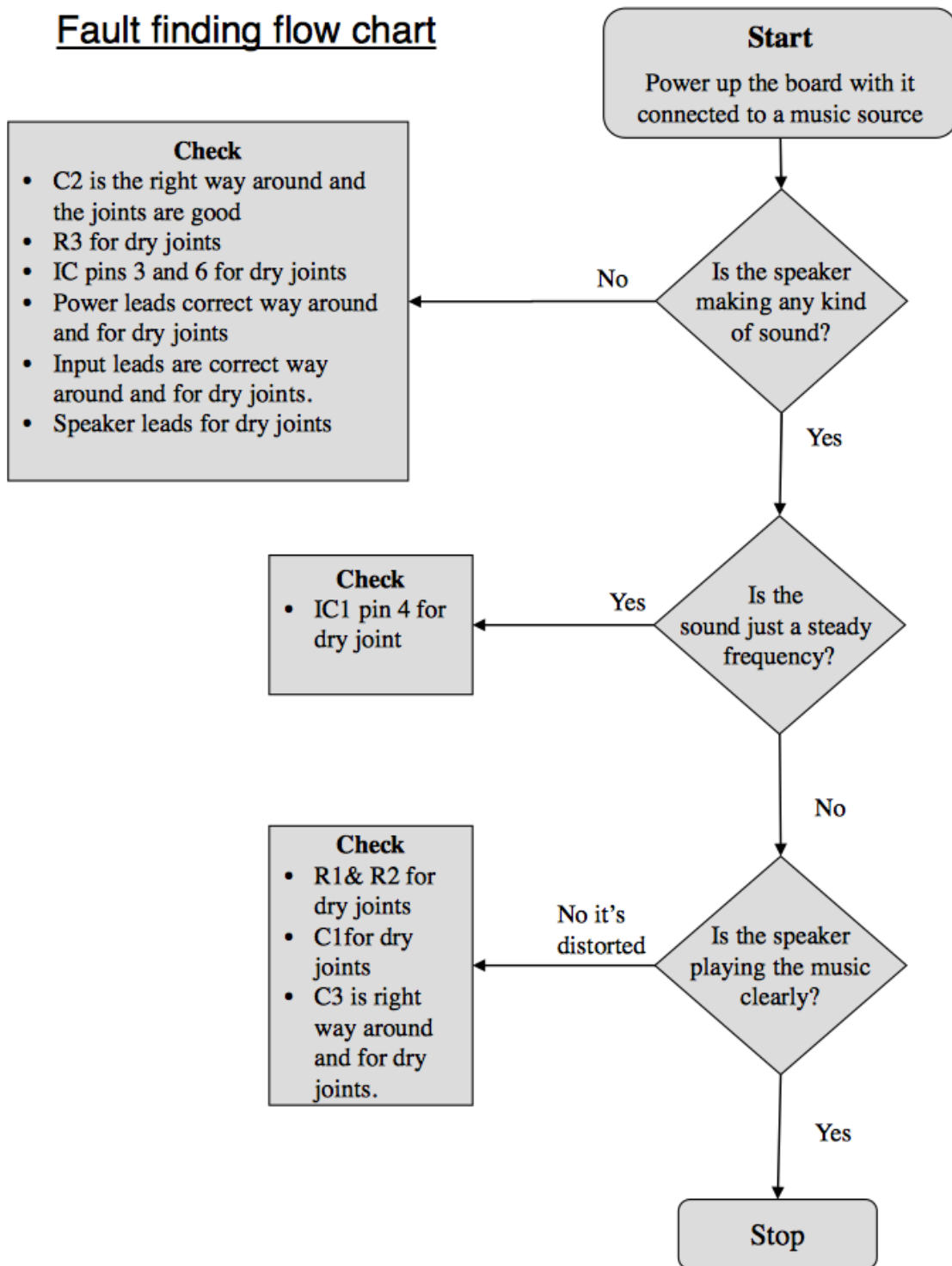


3

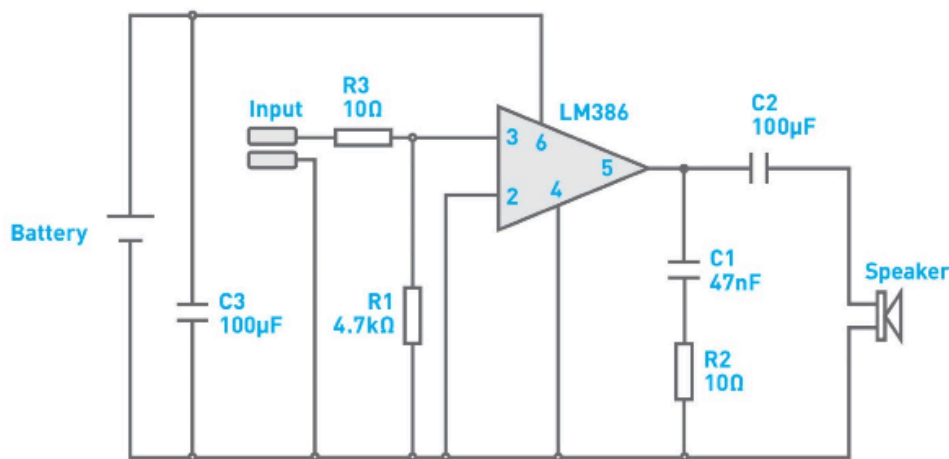
Using a piece of wire, solder the remaining terminal on the on / off switch to the remaining power connection on the PCB.



Fault finding flow chart

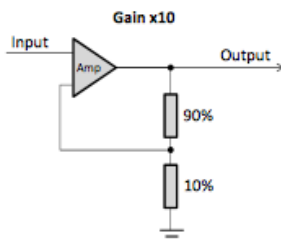


How the Amplifier Works



At the centre of the circuit is an audio amplifier Integrated Circuit or IC. Inside the IC are lots of transistors, which are connected together to allow the small input signal to be amplified into a more powerful output that can drive a speaker.

All amplifiers need to use feedback to ensure the amount of gain stays the same. This allows the output to be an exact copy of the input just bigger. The gain is the number of times bigger the output is compared to the input, so if an amplifier has a gain of 10 and there is 1 volt on the input there will be 10 volts on the output. Before looking at how the feedback works, we first need to understand how a standard amplifier works. An operational amplifier has two inputs these are called the inverting (-) and non-inverting (+) inputs. The output of the operational amplifier is the voltage on the non-inverting input less the voltage on the inverting input multiplied by the amplifiers gain. In theory an operational amplifier has unlimited gain so if the non-inverting input is a fraction higher than the inverting input (there is more + than -) the output will go up to the supply voltage. Change the inputs around and the output will go to zero volts. In this format the operational amplifier is acting as a comparator, it compares the two inputs and changes the output accordingly.



With an infinite gain the amplifier is no good to amplify audio, which is where the feedback comes in. By making one of the input a percentage of the output the gain can be fixed, which allows the output to be a copy of the input but bigger. Now when the two inputs are compared and the output is adjusted, instead of it going up or down until it reaches 0 volts or V+, it stops at the point when the two inputs match and the output is at the required voltage.

Looking at the circuit diagram for the audio amplifier it's not obvious where the feedback is, this is because inside the IC there are resistors fixing the gain at 20.

The rest of the components are needed as follows:

C3 is connected across the supply to make sure that it remains stable.

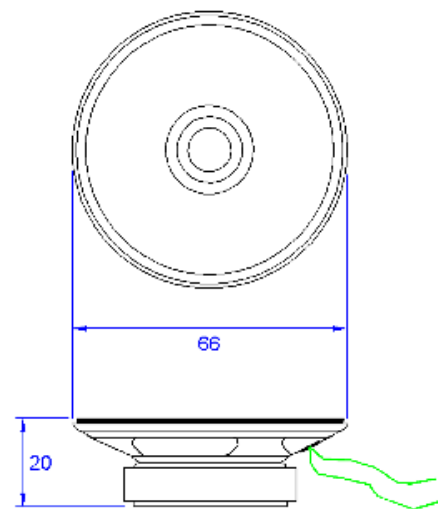
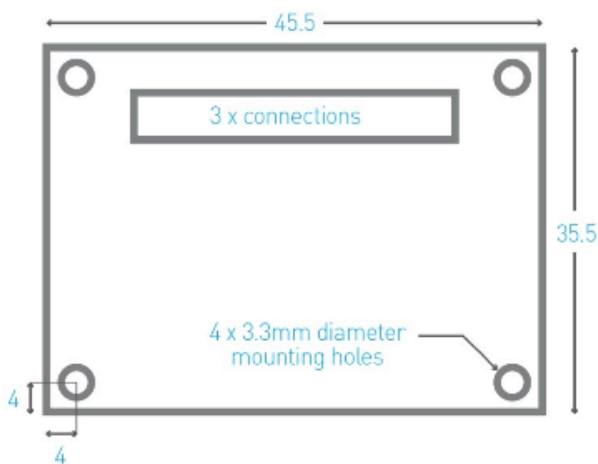
The other capacitors have a filtering role, either to cut out high frequency noise or get the best out of the speaker.

Designing the Enclosure

When you design the enclosure, you will need to consider:

- The size of the PCB (below left, height including components = 15mm)
- How big the batteries are.
- How to mount the speaker (below right).
- How to allow the audio cable out of the box.
- Are you making the amplifier for a particular MP3 player, if so should the MP3 player go in the box?

These technical drawings of the amplifier PCB and speaker should help you plan this.



All dimensions in mm
x4 holes 3.3mm diameter

